

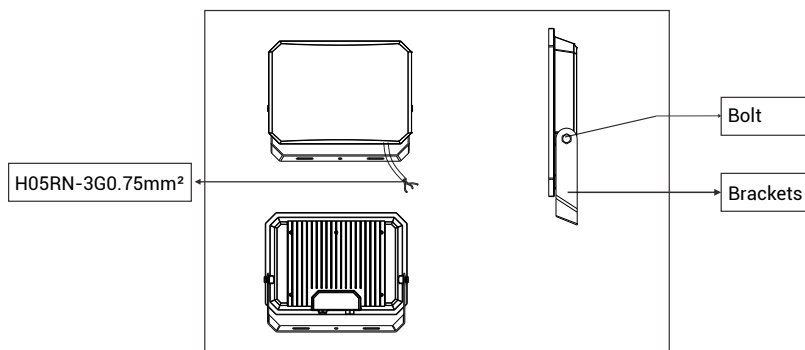
# OPTONICA

## USER MANUAL

### LED FLOODLIGHT

Please take time to read this leaflet carefully and retain it for future reference.

#### DIAGRAM



#### IMPORTANT SAFETY INFORMATION

- Do not wire this floodlight into the lighting circuit - use a switched fused spur.
- Before installation and servicing disconnect the electrical supply at the mains.
- Carefully observe all instructions or warnings that are labelled on, or supplied with your product.
- This product is suitable for outdoor use. If in any doubt, consult a qualified electrician.

#### FIXING INSTRUCTIONS

Do not wire this floodlight into the lighting circuit - use a switched fused spur. This fitting must be earthed, contact a qualified electrician to install a suitable earth facility. Ensure the electricity is turned off at the mains before installing or maintaining any electrical fitting.

#### NOTE

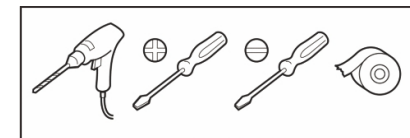
For new installations, check for any electrical cables or pipe work (gas/water) in the vicinity of the intended mounting point for this product, before proceeding with the installation.

#### GENERAL INFORMATION

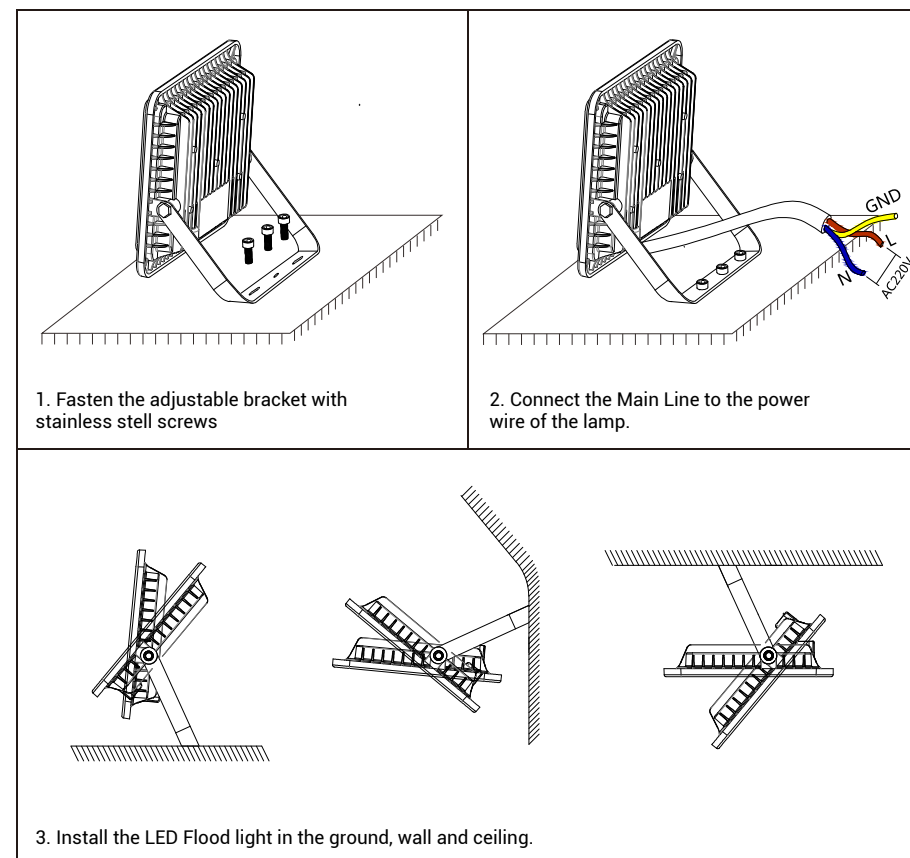
Do not mount ceiling/wall fittings onto damp surfaces such as newly painted or pleastered areas as this may cause discolouration of the finish.

Tools which may be required:

- Drill
- Cross Head Screwdriver
- Small Electrical Slotted Screwdriver
- Insulation Tape



#### INSTALLATION



This product should be disposed of responsibly at the end of its life. Please recycle where facilities exist. (Waste Electrical and Electronic Equipment Directive)