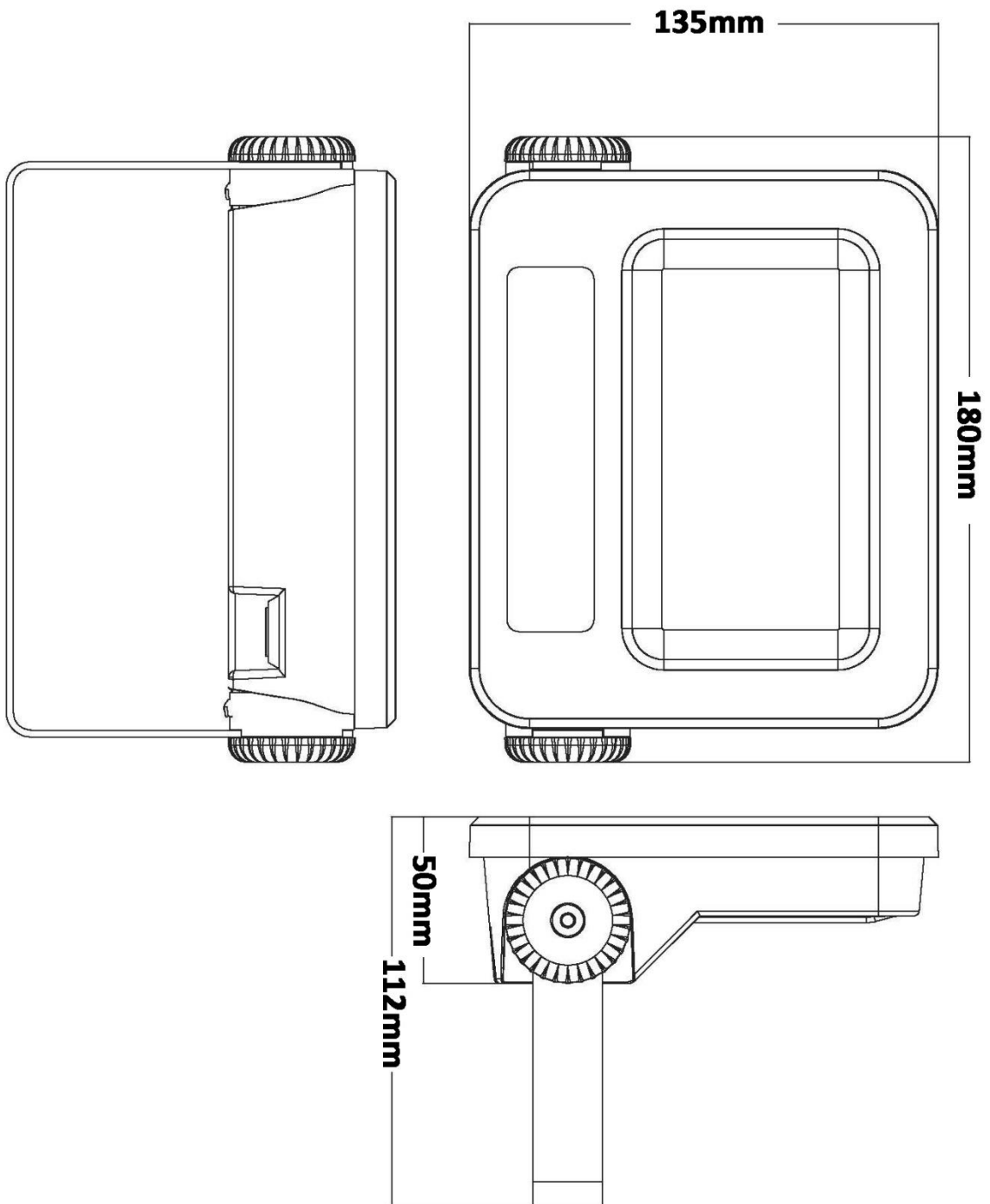


Technický list LED reflektoru FB a FW

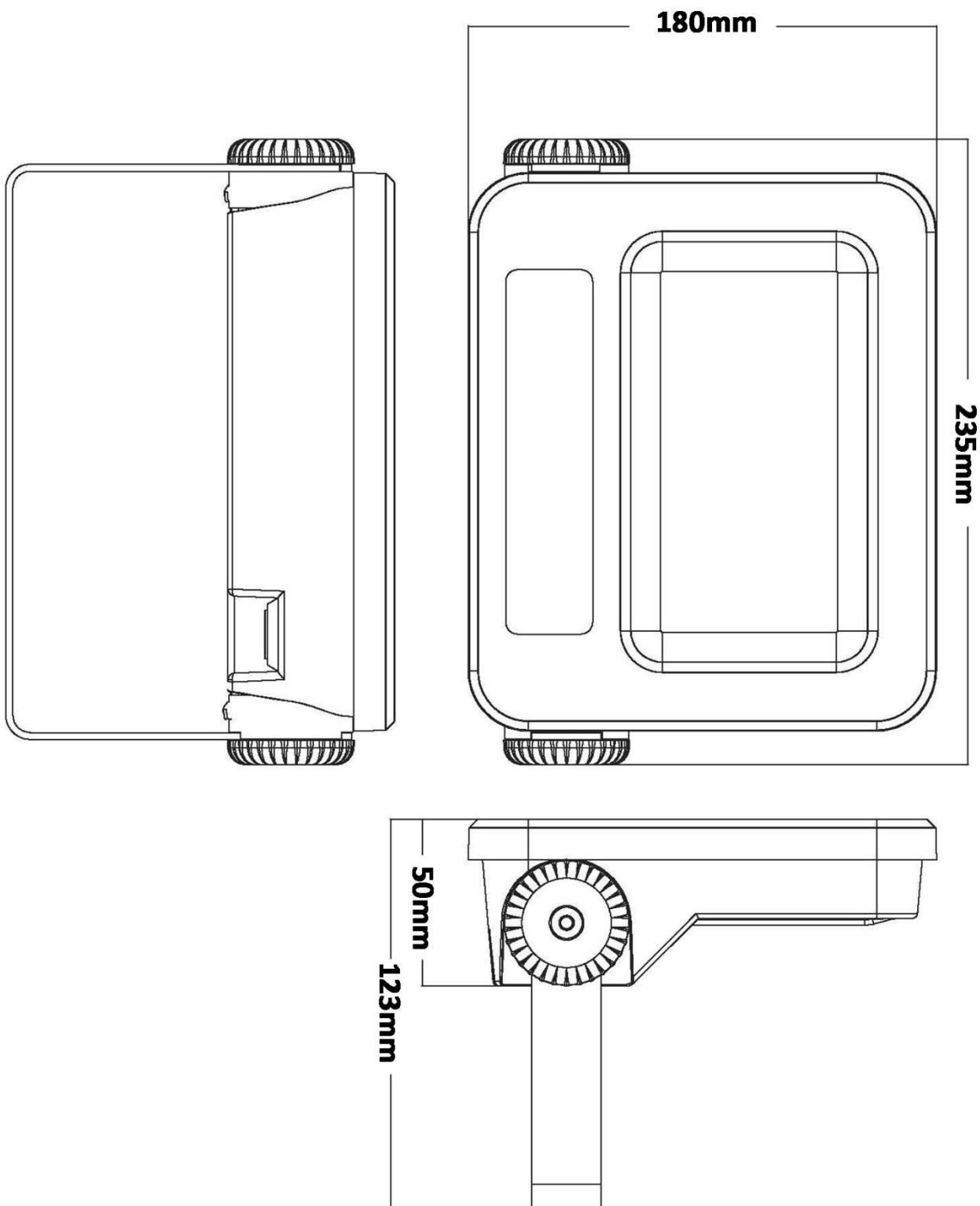
Electrical data	Voltage	AC220-240V
	Frequency	50Hz/60Hz
	Wattage	15W/30W/50W/100W
Luminary data	Light	Warm white/daylight/cold white
	Color temp	± 500K: 3000K/4000K/6500K
	LM output 15W 30W 50W 100W	1350lm/1400lm/1450lm 2700lm/2750lm/2800lm 4500lm/4550lm/4600lm 9900lm/10000lm/11000lm
	Chip type	SMD 2835-Hongli
	CRI	>=80
	Lifespan	>=25,000hours
	Opening degree	80°
Driver	Driver type	Switch IC driver
	Capacitor	AISHI
	Surge protection	2.5KV
	Power factor	>=0.9
Others	Ambient temperature	-20°C~+40°C
	Humidity	20%~100%RH Non-condensing
	Storage temp.	-20°C~+50°C
	Storage humidity	20%~90%RH
	IP/IK	IP65/IK08
	Material	PC+Alu.
	Base	bracket
	Net weight	240g/385g/508g/680g
Standard	Environment	ROHS/WEEE
Standard	Regulation	CE(EMC+LVD)

Mechanical drawing:

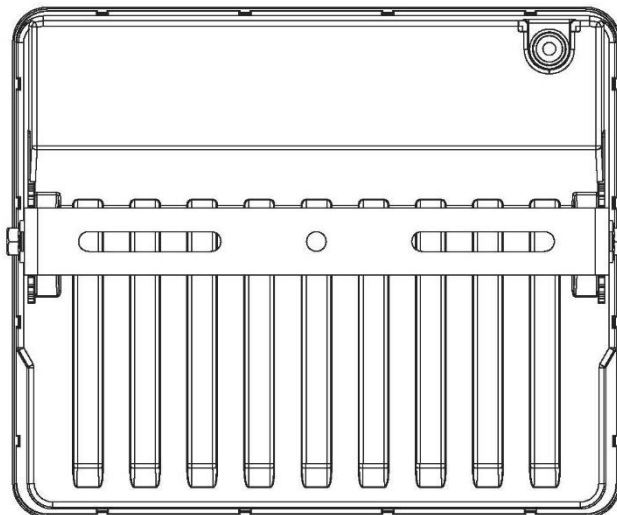
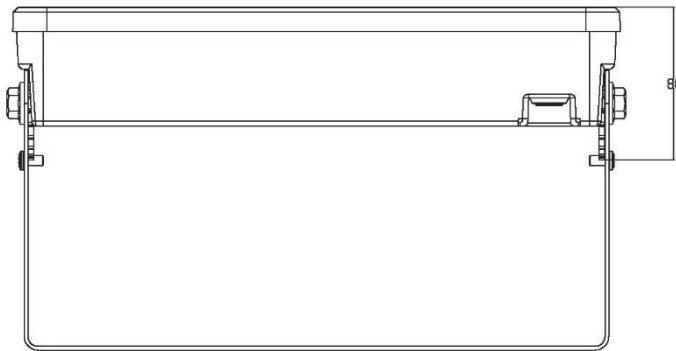
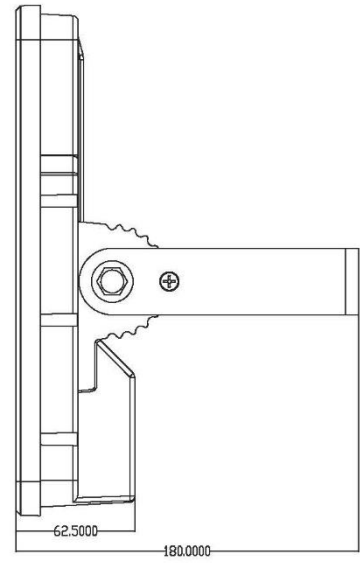
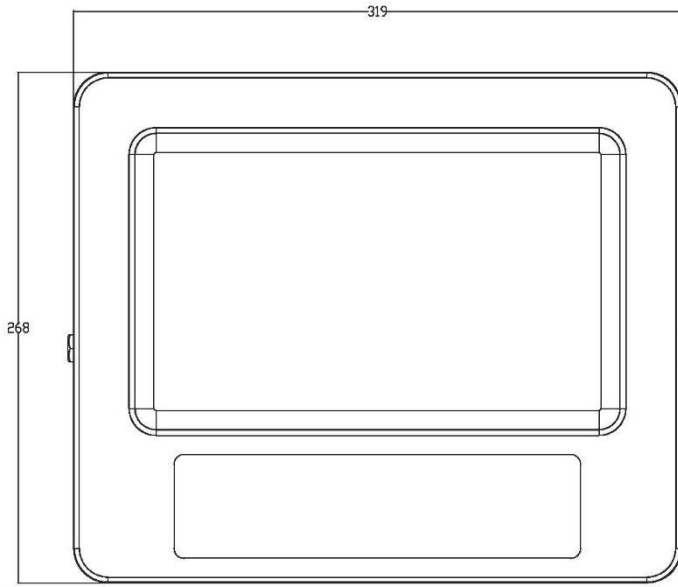
15W/30W



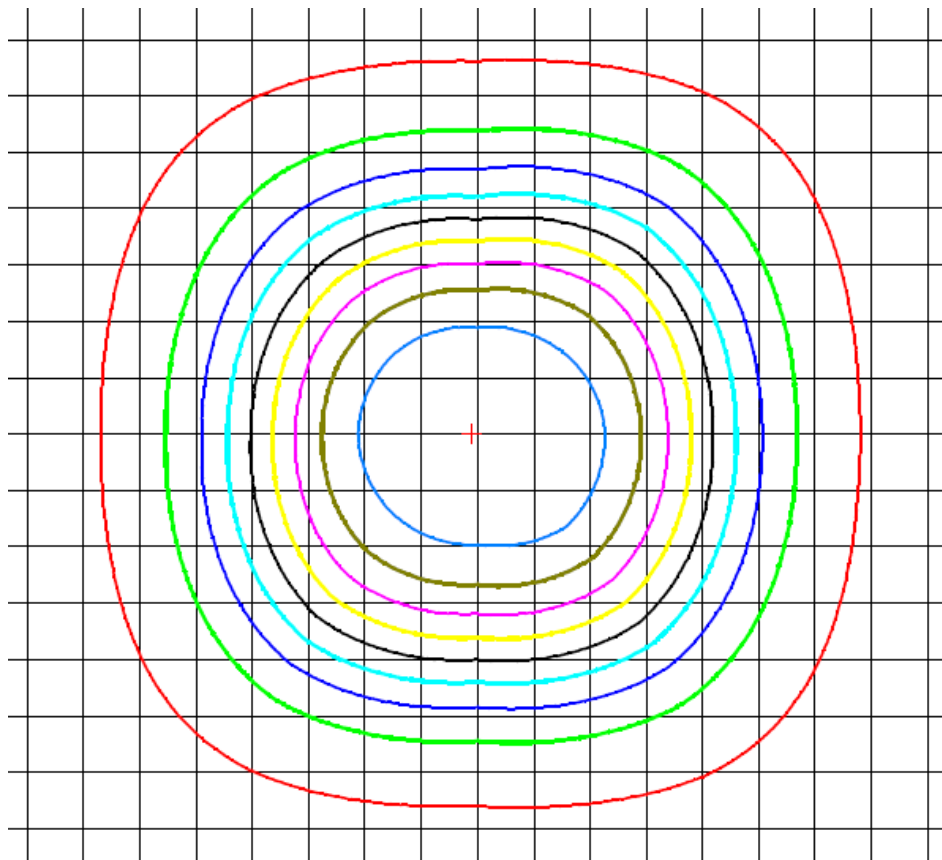
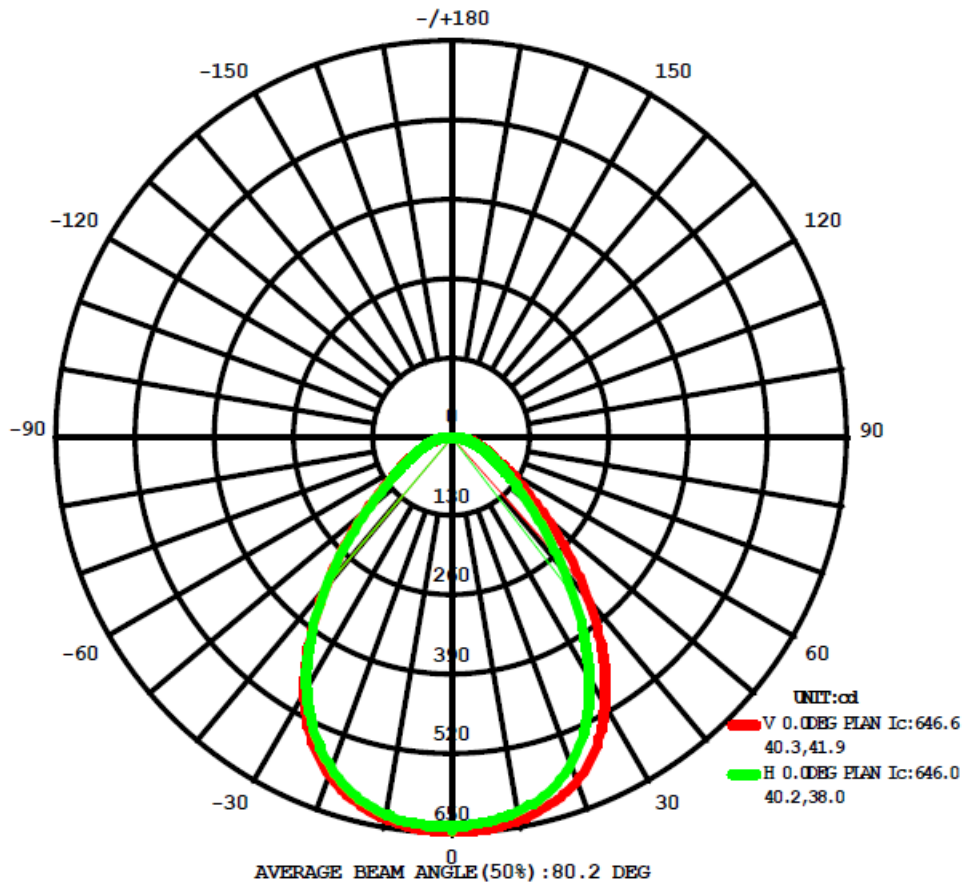
50W



100W

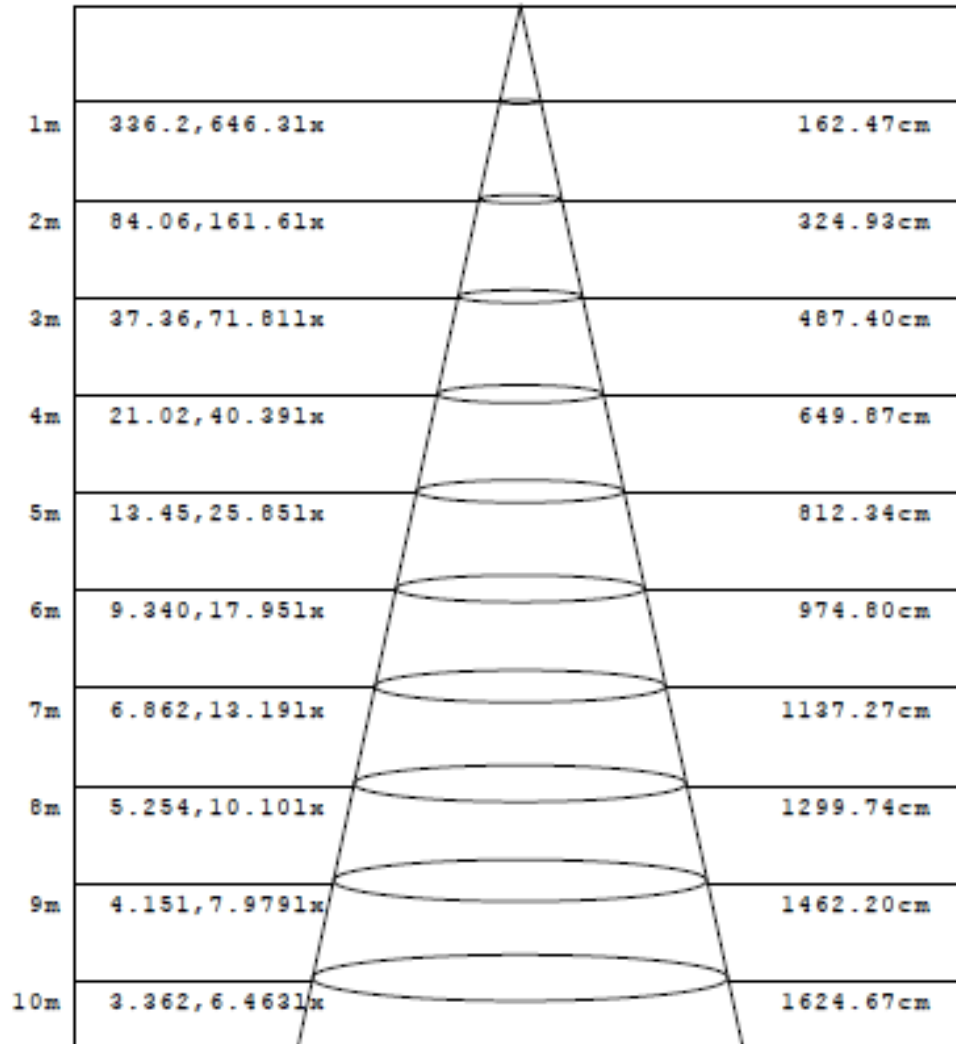


Beam Curve



15W

Flux out: 743.8 lm

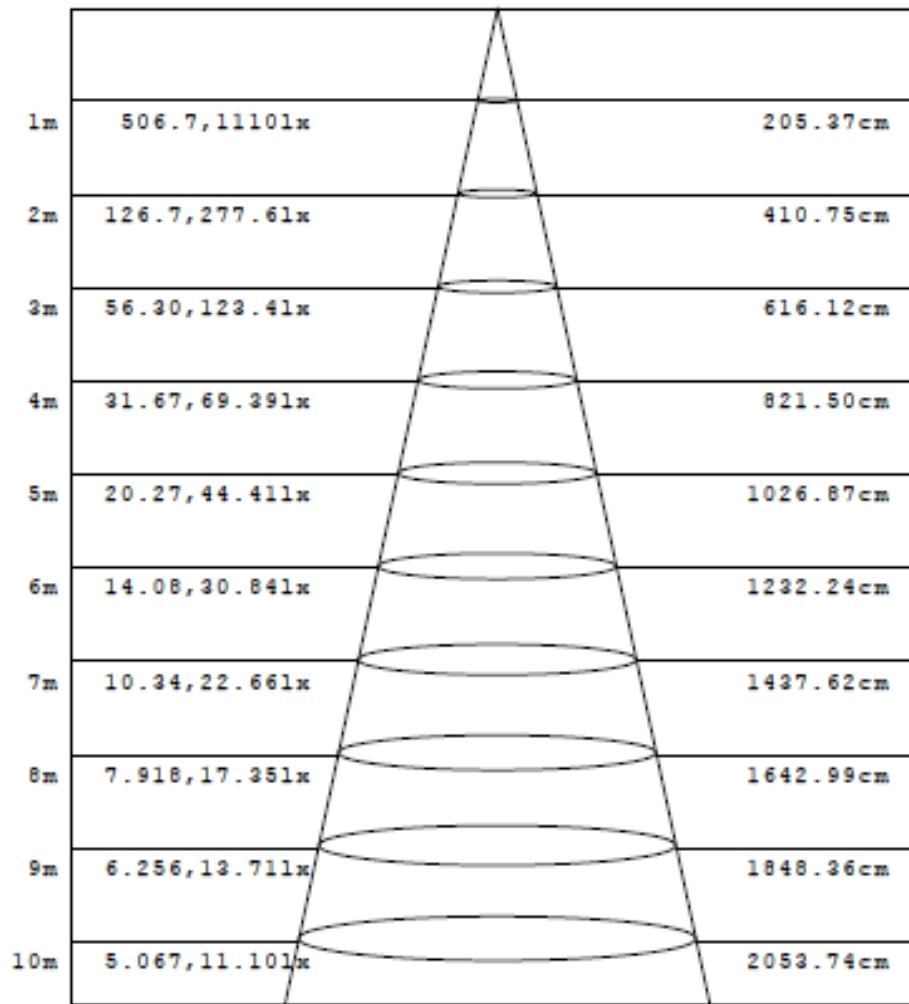


Note: The Curves indicate the illuminated area and the average illumination when the luminaire is at different distance.

30W

AAI Figure

Flux out: 1707 lm



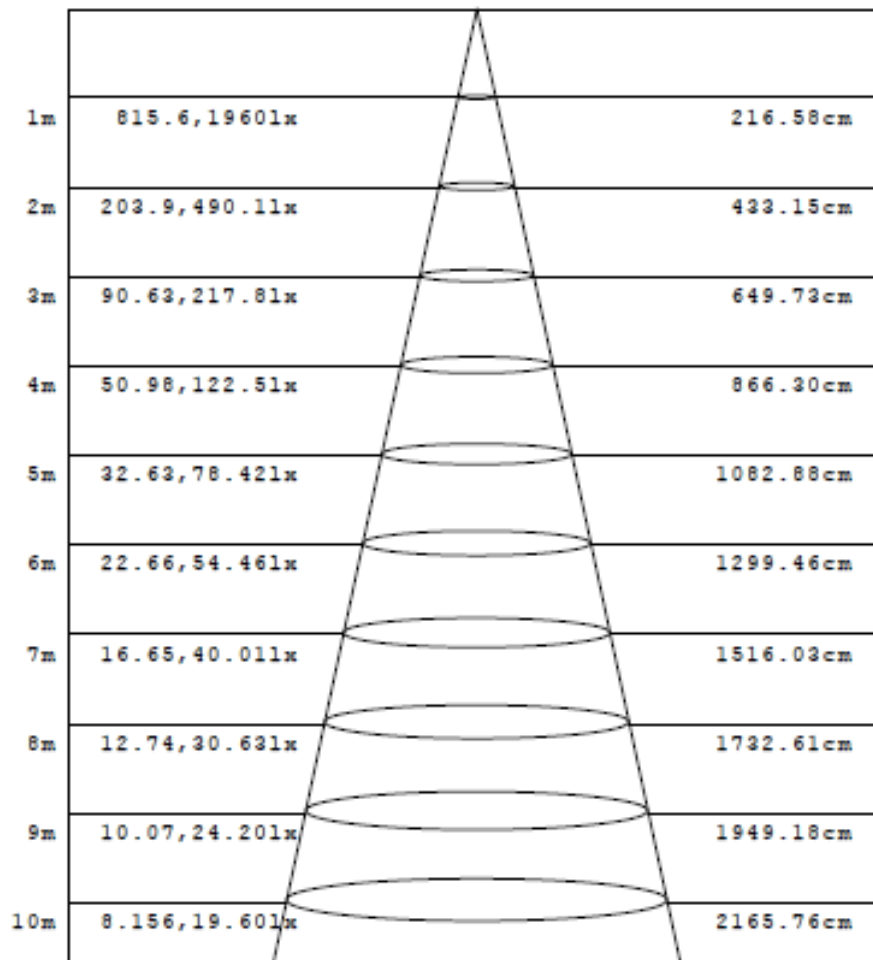
Height Eavg, Emax Angle: 91.52deg Diameter

Note: The Curves indicate the illuminated area and the average illumination when the luminaire is at different distance.

50W

AAI Figure

Flux out: 3161 lm



Note: The Curves indicate the illuminated area and the average illumination when the luminaire is at different distance.

100W

AAI Figure

