
Surge Protection Device

Introduction

The Surge protection device is specially designed to be used in outdoor and commercial LED lighting fixtures for transient overvoltage protection.

It is mainly composed of thermally protected varistors and gas discharge tube components which can effectively prolong the service life and stability of luminaires.

Features

- * Applicable to class I&II luminaire
- * Protection mode: L-N、 L-PE、 N-PE
- * Built in thermal separation function, higher safety
- * Excellent surge impact resistance and low residual voltage
- * Miniature size and convenient for embedded installation

Application

- Street Lighting
- Flood Lighting
- Port Lighting
- Tunnel Lighting
- Stadium Lighting
- Other outdoor lighting

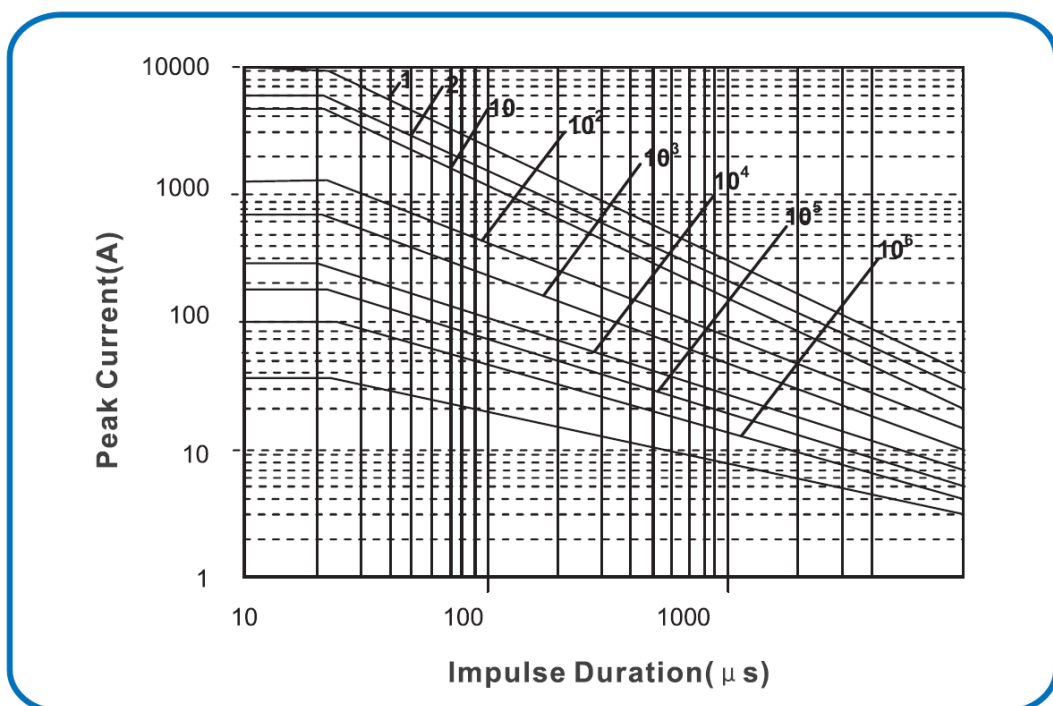


CE RoHS

Technical Data

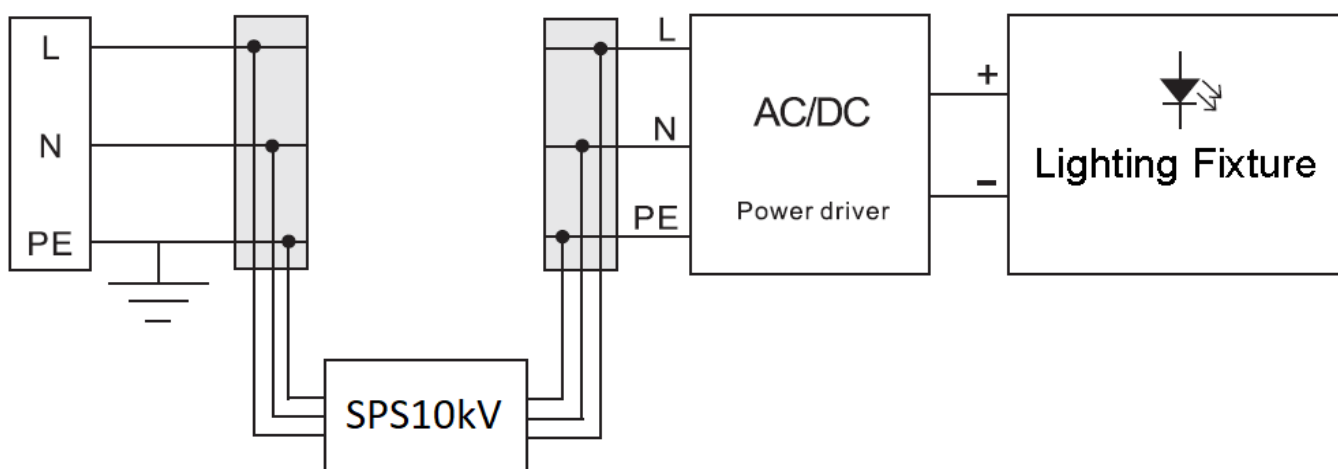
Item No.	SPS10kV	SPP10kV
Material	Aluminium+PC	Aluminium+PC
Operating voltage	AC100-277V 50/60Hz	AC100-277V 50/60Hz
Max. continuous operating voltage	AC 320V 50/60Hz	AC 320V 50/60Hz
Rated load current	5A	5A
Nominal discharge current/In(8/20μs)	5KA	5KA
Max. discharge current/In(8/20μs)	10KA	10KA
Open-circuit voltage/Uoc (1.2/50μs&8/20μs)	10KV	10KV
Voltage protection level/Up (@In)	≤1. 2kV(L-N,L/N-PE)	≤1. 2kV(L-N,L/N-PE)
Temporary overvoltage TOV/UT(L-N)	337V/5sec.-wlthstand	337V/5sec.-wlthstand
Temporary overvoltage TOV/UT(L-N)	442V/120min.-safe failure	442V/120min.-safe failure
IP protection level	67	67
Working Temperature	-40°C-85°C	-40°C-85°C
Connection mode	Series	Paralleling
EN 61643-11	Type2&3	Type2&3
Dimension	128*40*18mm	45*33*20mm

Repetitive surge capability

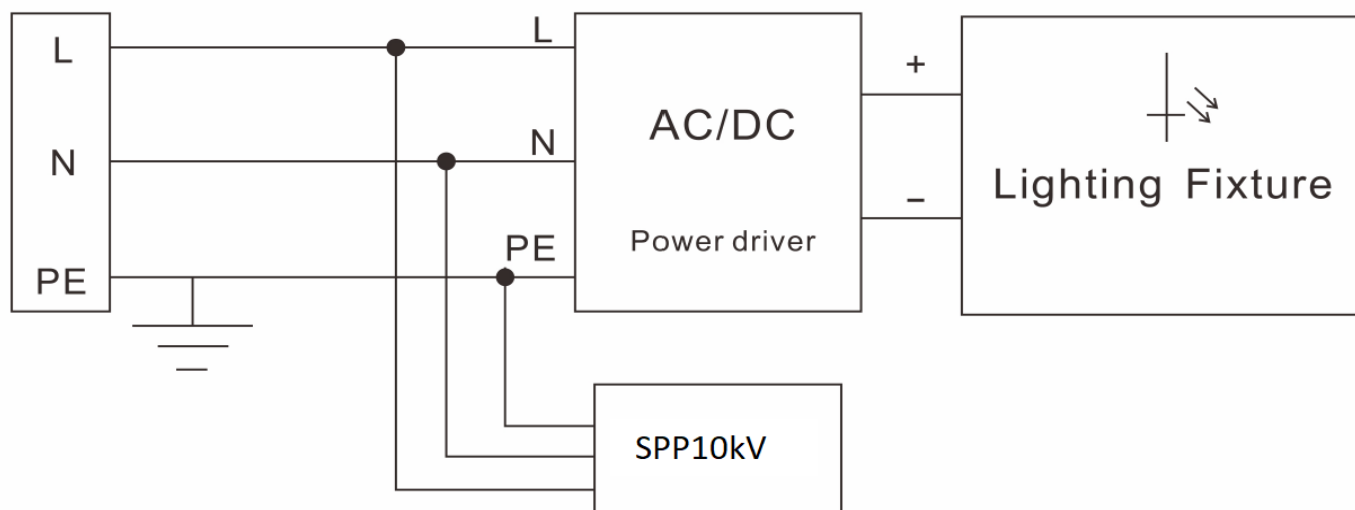


Wiring diagram

● SPS10kV



● SPP10kV



Actual Pictures

● SPS10kV



● SPP10kV

