



Features:

- Constant voltage design
- Universal AC input range/withstand 300VAC surge input for 5 seconds
- Fully encapsulated with IP67 level, Fully isolated plastic case, laser labeling
- Protections: short circuit, over load, over voltage
- Cooling by free air convection
- Class II power unit, no FG; Class 2 power unit
- Passed LPS (Limited Power Source) Test
- 100% full load burn-in test
- Suitable for LED lighting and moving sign applications
- High reliability/Low cost
- 3 Years warranty

SPECIFICATION Dimension: 162.5 × 42.5 × 32mm



| | Model | LPV-60E-5 | LPV-60E-12 | LPV-60E-15 | LPV-60E-24 | LPV-60E-36 | LPV-60E-48 |
|-----------------|--------------------------------------|---|------------|--------------|------------|------------|------------|
| Output | DC voltage | 5V | 12V | 15V | 24V | 36V | 48V |
| | Rated current | 8A | 5A | 4A | 2.5A | 1.67A | 1.25A |
| | Current range | 0 ~ 8A | 0 ~ 5A | 0 ~ 4A | 0 ~ 2.5A | 0 ~ 1.67A | 0 ~ 1.25A |
| | Rated power | 40W | 60W | 60W | 60W | 60W | 60W |
| | Ripple&noise | 80mVp-p | 120mVp-p | 120mVp-p | 150mVp-p | 150mVp-p | 150mVp-p |
| | Voltage tolerance | ± 8.0% | ± 5.0% | | | | |
| | Line regulation | ± 1.0% | | | | | |
| | Load regulation | ± 6.0% | ± 2.0% | | | | |
| | Setup, rise time | 500ms, 20ms/230VAC 500ms, 20ms/115VAC at full load | | | | | |
| Hold up time | 50ms/230VAC 16ms/115VAC at full load | | | | | | |
| Input | Voltage range | 90~264VAC 127~370VDC | | | | | |
| | Efficiency | 76% | 83% | 83% | 86% | 86% | 86% |
| | Frequency range | 47~63Hz | | | | | |
| | AC current | 1.2A/115VAC 1A/230VAC | | | | | |
| | Inrush current | Cold start 60A/230VAC (twidth=525 μs measured at 50% I _{peak}) | | | | | |
| Leakage current | < 0.25mA/240VAC | | | | | | |
| Protection | Overload | 110~150% rated output power Start overload protection Protection type: hiccup mode, auto-recovery after fault condition is removed | | | | | |
| | Over voltage | 5.75~6.75V | 13.8~16.2V | 17.25~20.25V | 27.6~32.4V | 41.4~48.6V | 55.2~64.8V |
| Environment | Working temperature | -30°C ~ +70°C (Please refer to "derating curve") | | | | | |
| | Working humidity | 20% ~ 90%RH Non-condensing | | | | | |
| | Storage temp, humidity | -40°C ~ +80°C; 10% ~ 95%RH | | | | | |
| | Temp. coefficient | ± 0.03%/°C (0~50°C) | | | | | |
| | Vibration | 10 ~ 500Hz, 2G 10min./1Cycle, Period for 60min, Each axes | | | | | |
| Safety & EMC | Safety standards | UL879, UL1310, CSAC22.2 NO.207-M89, CAN/CSA C22.2 NO.223-M91, IP67 approved; design refer to TUV EN 60950-1 | | | | | |
| | Withstand voltage | I/P-O/P: 3KVAC | | | | | |
| | Isolation resistance | I/P-O/P: 100M Ohms/500VDC/25°C/70%RH | | | | | |
| | EMC emission | Compliance to EN55022(CISPR22) Class B, EN61000-3-2 Class A, EN61000-3-3 | | | | | |
| | EMC immunity | Compliance to EN61000-4-2, 3, 4, 5, 6, 8, 11, EN55024, light industry level, criteria A | | | | | |
| Others | MTBF | 705K hrs min. MIL-HDBK-217F(25°C) | | | | | |
| | Dimension | 162.5*42.5*32 mm (L*W*H) | | | | | |
| | Packing | 0.41kg/40pcs/16.5kgs/0.027m³/0.95CUFT | | | | | |

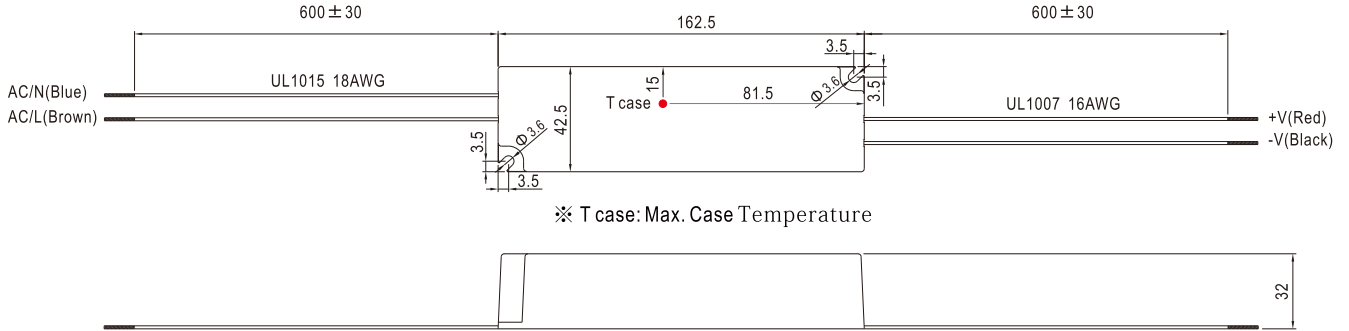
- Note: 1. All parameters NOT specially mentioned are measured at 230VAC input, rated load and 25°C of ambient temperature.
 2. Ripple & noise are measured at 20MHz of bandwidth by using a 12" twisted pair-wire terminated with a 0.1uf & 47uf parallel capacitor.
 3. Tolerance : includes set up tolerance, line regulation and load regulation.
 4. The power supply is considered as a component that will be operated in combination with final equipment. Since EMC performance will be affected by the complete installation, the final equipment manufacturers must re-qualify EMC Directive on the complete installation again.
 5. Suitable for indoor use or outdoor use without direct sunlight exposure. Please avoid immerse in the water over 30 minute.
 6. Derating may be needed under low input voltage. Please check the static characteristics for more details.
 7. Length of set up time is measured at first cold start. Turning ON/OFF the power supply may lead to increase of the set up time.

Mechanical specification

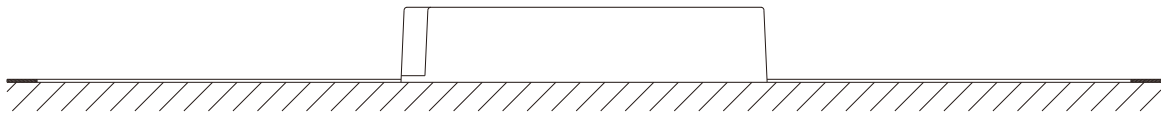
Unit:mm

lead-out wire assignment

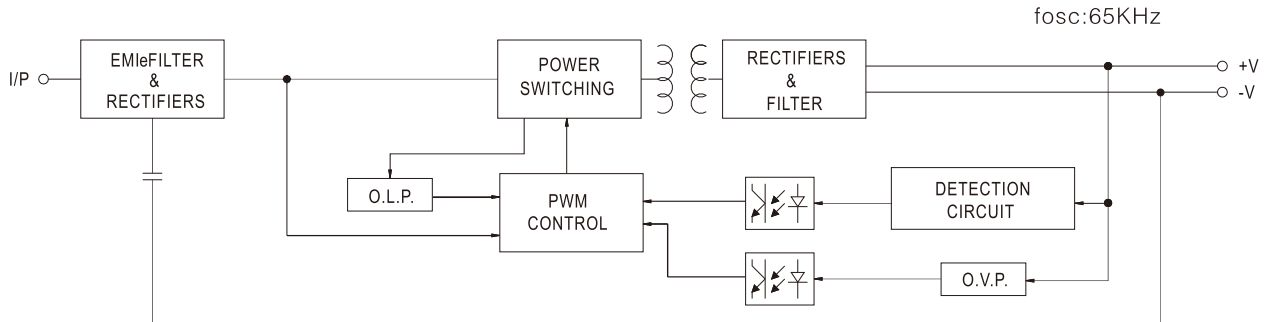
| Input | | Output | |
|-------|------|--------|--------------|
| Blue | AC/N | Red | DC OUTPUT +V |
| Brown | AC/L | Black | DC OUTPUT -V |



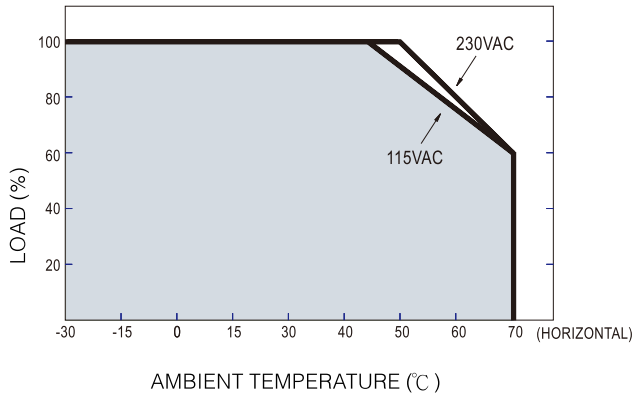
Recommend Mounting Direction



Block diagram



Derating curve



Static characteristic

